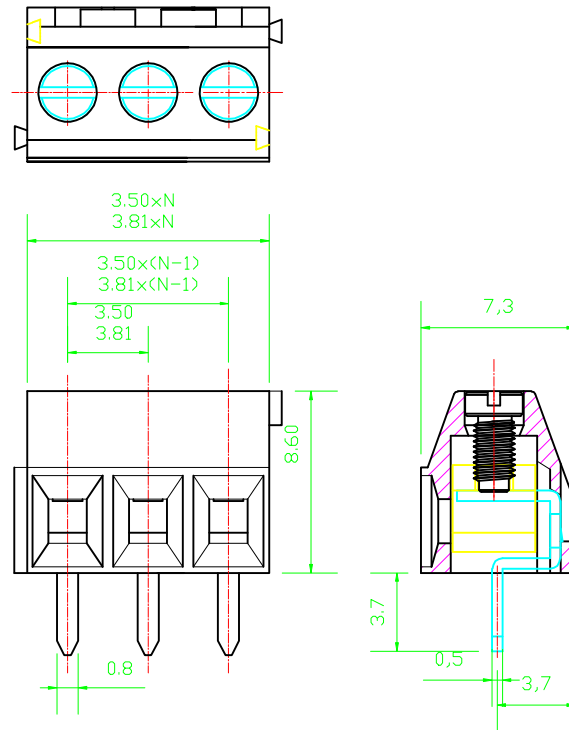


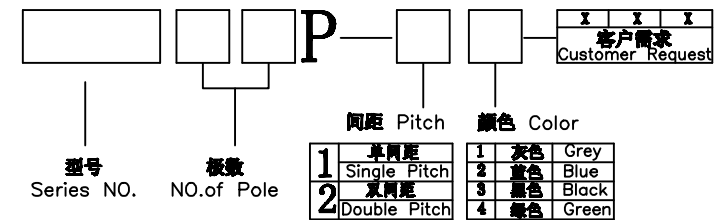
RoHS Compliant Customer Drawing

REV.	ECN NO.	DESCRIPTION	DATE	DESIGN

- 材料及电镀(Material)
 螺丝(Screw): M2.0, 钢, 镀锌(steel, zinc Plated)
 触点(Contact): 黄铜, 镀镍(Bronze, NI plated)
 弹片(Pin header): 黄铜, 镀锡(Bronze, Tin plated)
 壳体(Housing): PA66, UL94V-0
- 电气性能(Electrical)
 额定电压(Rated Voltage): 150V
 额定电流(Rated Current): 10A
 接触电阻(Contact Resistance): 20mΩ
 绝缘电阻(Insulation Resistance): 5000MΩ/1000V
 耐电压(Withstanding Voltage): AC1500V/1Min
 使用线径(Wire Range): 26-16AWG 1.0mm²
- 机械性能(Mechanical)
 温度范围(Temperature Range): -40℃~+105℃
 瞬时温度(MAX Soldering): +250℃, 5秒(5 Seconds)
 扭矩(Torque): 0.2N·m(1.8lb.in)
 剥线长度(strip length): 5-6mm



订购方式/HOW TO ORDER



CONTACT WITH US:
 TEL: +86-574-63505128 FAX: +86-574-63532183
 E-Mail: sales@nbmax.com.cn Website: www.nbmax.com.cn

N=No. of contacts

公差一览表				宁波迈科思电子科技有限公司					
TOLERANCE UNLESS OTHERWISE				NINGBO MIX ELECTRONIC TECHNOLOGY CO.,LTD					
X.	±0.25	X°.	±5°	单位	mm	制图	陈冬梅	产品名称	MX124-3.5/3.81
.X	±0.20	.X°	±2°	UNITS		DRAWING		TITLE	
.XX	±0.15	.XX°	±1°	角法	ϕ \square	设计	顾兴伟		
.XXX	±0.02	.XXX°	±0.5°	VER		DESIGN		产品料号	MX124-3.5/3.81
日期	2012. 07. 10			比例	1:1	审核		PART NO.	
DATE				SCALE		CHEK		图号	MX124-3.5-0A
				版本	A0	核准		DRAW NO.	
				VER		APPD			