

8 7 6 5 4 3 2 1

REVISION RECORD				
REV	ECN.	DESCRIPTION	DRFT	DATE

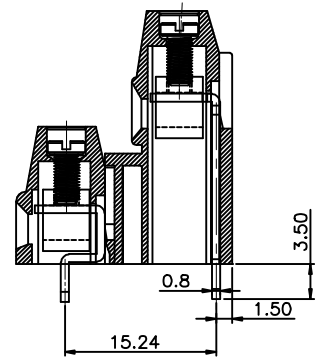
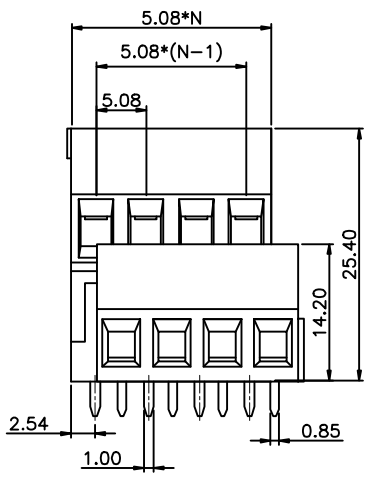
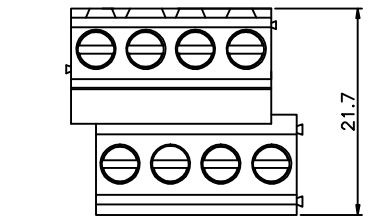
NOTE 1:
UL标准 (UL Standard)
 1. 额定电压与电流: 300V/10A
 Rated voltage/Rated current: 300V/10A
 2. 功率耐压: AC1600V/Min
 Withstanding Voltage: AC2000V/Min
 3. 线径范围: 30~12AWG
 Wire range: 30~12AWG
IEC标准 (IEC Standard)
 1. 额定电压与电流: 250V/18A
 Rated voltage/Rated current: 250V/18A
 2. 线径范围: 2.5mm²
 Wire range: 2.5mm²

NOTE 2:
 1. 间距 (Pitch): 5.08mm
 2. 使用温度范围: -40℃~+106℃
 Operating temperature: -40℃~+106℃
 3. 剥线长度: 6~7mm
 Stripping length: 6~7mm
 4. 符合RoSE环保要求
 RoHS Compliance
 5. 额定扭矩: 0.4N.m 3.54[Lb. in]
 (Rated torque): 0.4N.m 3.54[Lb. in]
 6. 未标注公差表
 Undimensioned tolerances

额定电压范围 (mm)		标称尺寸范围 (mm)				0.1/10	
≤6	6~10	10~24	≤30	30~60	60~100		>100
±0.15	±0.20	±0.30	±0.20	±0.30	±0.50	±0.70	±1.00

订购方式 (HOW TO ORDER)
MX128DGA-5.08-□□P-□-□-□□□□

型号 Series NO.	间距 Pitch	极数 Poles	客户型号 Customer Request
1. 单间距 Single Pitch			颜色 (Color) 1. 灰色 (Gray) 2. 蓝色 (Blue) 3. 黑色 (Black) 4. 绿色 (Green) 5. 橙色 (Orange) 6. 红色 (Red) 7. 黄色 (Yellow) 8. 白色 (White) 9. 透明 (Transparent)



4	(Cage) 方盒	(Copper alloy) 铜合金	(Ni plated) 镀镍
3	(Contact) 触点	(Copper alloy) 铜合金	(Sn plated) 镀锡
2	(Screw) 螺丝 M3	(Steel) 钢	(Ni plated) 镀镍
1	(Housing) 塑件	PA66	UL94V-0
ITEM	NAME OF PART	MATERIAL	NOTES

PART NO.: /
 APPD: /
 CHKD: /
 DRFT: /
 THIED ANGLE PROJECTION

宁波迈科思电子科技有限公司
 NINGBO MAX ELECTRONIC TECHNOLOGY CO.,LTD

型号	MX128DGA-5.08-XXP		
系列	MX128DGA-5.08	页码	1/1
图号	MX128DGA508001	比例	1:1

8 7 6 5 4 3 2 1