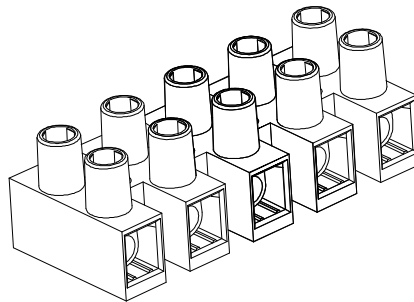


RoHS Compliant Customer Drawing

REV.	ECN NO.	DESCRIPTION	DATE	DESIGN



SPECIFICATION

MATERIAL

Housing:PA66,UL94V-0

Screw:M3.5 Steel ,Zinc Plated

Terminal:Brass,Ni Plated

ELECTRICAL

Rated voltage:450V

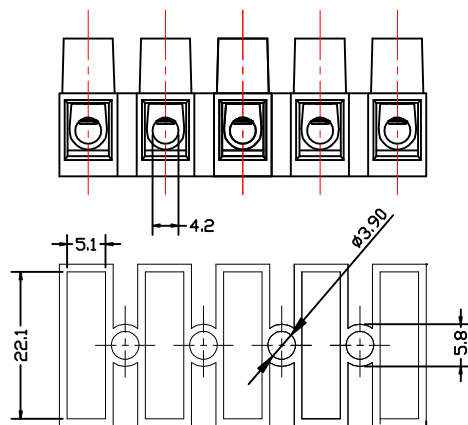
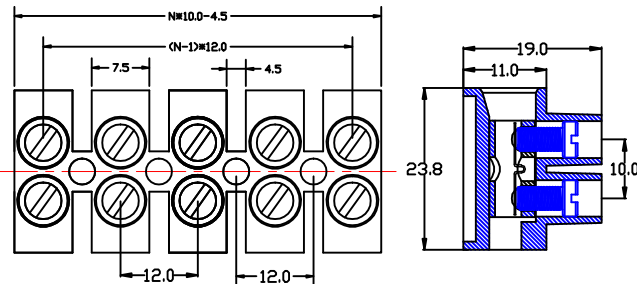
Rated current: 30A

Wire Range(MM²):2.5-10.0MM²

MECHANICAL

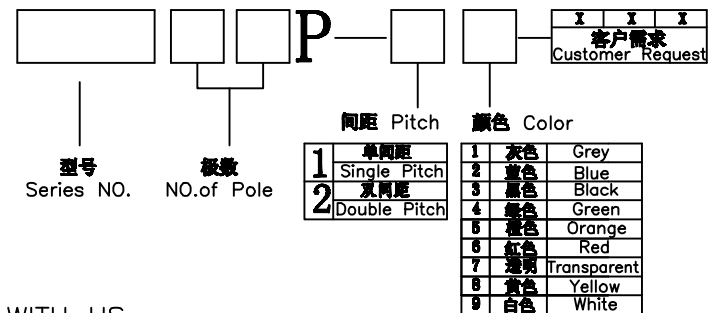
Strip Length: 10mm

Operating Temperature:-40°C~+105°C



N=No.of contacts

订购方式/HOW TO ORDER



CONTACT WITH US:

TEL:+86-574-63505128 FAX:+86-574-63532183

E-Mail:sales@nbmax.com.cn Website:www.nbmax.com.cn

公差一览表				宁波迈科思电子科技有限公司 NINGBO MKX ELECTRONIC TECHNOLOGY CO.,LTD			
TOLERANCE UNLESS OTHERWISE				单位 UNITS	制图 DRAWING	陈冬梅	产品名称 TITLE
X.	±0.25	X°.	±5°	mm	设计 DESIGN	顾兴伟	MX12HWP-12.0
.X	±0.20	.X°	±2°	角法 VIEW	审核 CHECK		产品序号 PART NO.
.XX	±0.15	.XX°	±1°	比例 SCALES	批准 APPD		MX12HWP-12.0
.XXX	±0.02	.XXX°	±0.5°	版本 VER			图号 DRAW NO.
日期 DATE	2012. 07. 10			A0			MX12HWP-12.0-A0