

RoHS Compliant

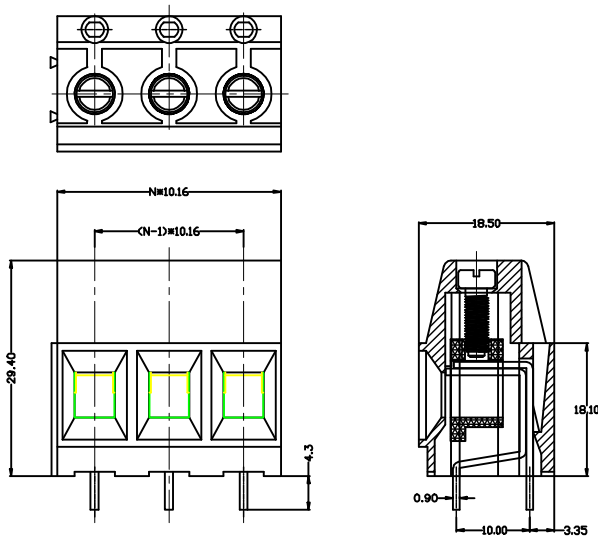
Customer Drawing

REV.	ECN NO.	DESCRIPTION	DATE	DESIGN

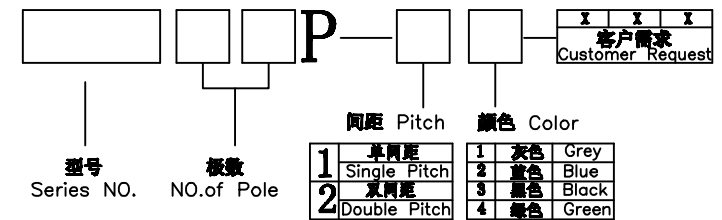
·材料及电镀(Material)
 螺丝(Screw): M4, 铜, 镀锌(steel, zinc Plated)
 触点(Contact): 黄铜, 镀锡(Brass, NI plated)
 焊料(Pin header): 黄铜, 镀锡(Brass, Tin plated)
 塑件(Housing): PA66, UL94V-0

·电气性能(Electrical)
 额定电压(Rated Voltage): 600V
 额定电流(Rated Current): 50A
 接触电阻(Contact Resistance): 20mΩ
 绝缘电阻(Insulation Resistance): 500MΩ/1000V
 耐电压(Withstanding Voltage): AC3000V/1Min
 使用线径(Wire Range): 20-6 AWG 10mm²

·机械性能(Mechanical)
 温度范围(Temperature Range): -40℃~+105℃
 瞬时温度(MAX Soldering): +250℃, 5秒(5 Seconds)
 扭矩(Torque): 1.2Nm(10.6lb.in)
 剥线长度(Strip length): 10mm



订购方式/HOW TO ORDER



CONTACT WITH US:
 TEL:+86-574-63505128 FAX:+86-574-63532183
 E-Mail:sales@nbmax.com.cn Website:www.nbmax.com.cn

N=No.of contacts

公差一览表				宁波迈科思电子科技有限公司 NINGBO MIK ELECTRONIC TECHNOLOGY CO.,LTD					
TOLERANCE UNLESS OTHERWISE				单位	制图	陈冬梅	产品名称	MX136-10.15	
X.	±0.25	X*	±5°	UNITS	mm	陈冬梅	MX136-10.15		
.X	±0.20	.X*	±2°	角法	设计	顾兴伟	MX136-10.15		
.XX	±0.15	.XX*	±1°	VIEW	审核		MX136-10.15		
.XXX	±0.02	.XXX*	±0.5°	SCALE	1:1		MX136-10.15		
日期	2012.07.10		版本	A0	核准		MX136-10.15-0A		
DATE			VER		APPD		PART NO.	DRAW NO.	