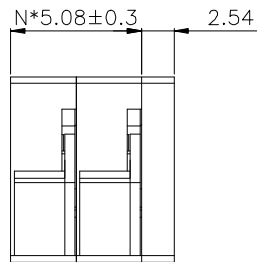


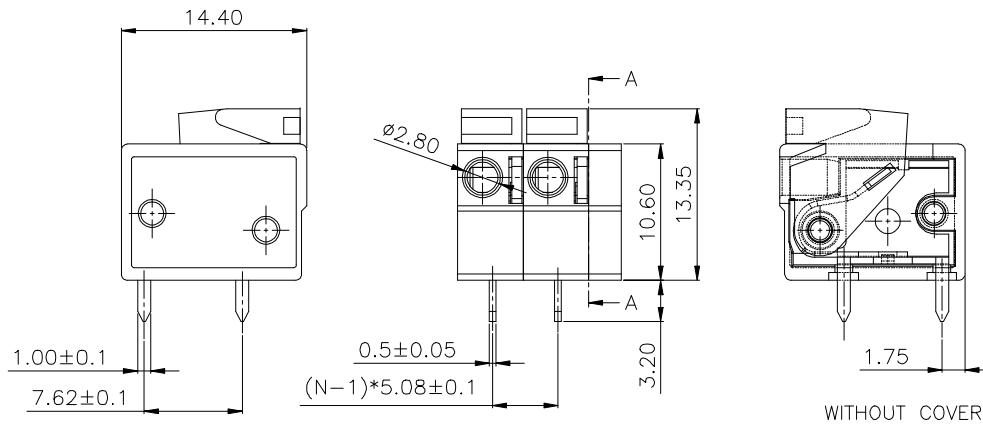
RoHS Compliant Customer Drawing

| REV. | ECN NO. | DESCRIPTION | DATE | DESIGN |
|------|---------|-------------|------|--------|
| | | | | |

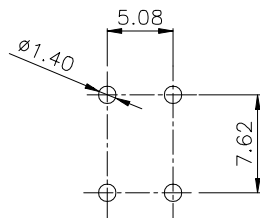
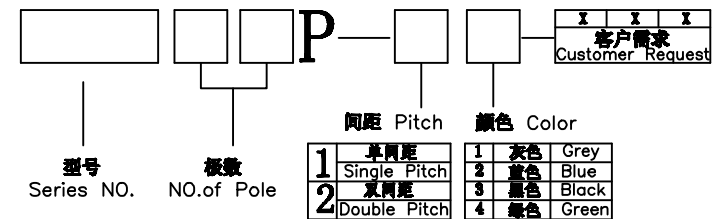
N:NUMBER OF CONTACTS



- MATERIAL
WIRE GUARD: STAINLESS STEEL(SUB301)
PIN HEADER : BRASS, TIN PLATED
HOUSING : PA66, UL94V-0
- ELECTRICAL
RATED VOLTAGE : 250V
RATED CURRENT : 10A
CONTACT RESISTANCE : 20mΩ
INSULATION RESISTANCE : 5000MΩ/1000V
WITHSTANDING VOLTAGE : AC2000V/1Min
WIRE RANGE: 22-14AWG 1.5mm²
- MECHANICAL
TEMP.RANGE : -40℃~+105℃
MAX SOLDERING : +250℃, FOR 5 SEC.
STRIP LENGTH: 10mm



订购方式/HOW TO ORDER



RECOMMEND PCB LAYOUT(TOLERANCE=±0.05)

N=No. of contacts

CONTACT WITH US:
TEL:+86-574-63505128 FAX:+86-574-63532183
E-Mail:sales@nbmax.com.cn Website:www.nbmax.com.cn

| 公差一览表 | | | | 宁波迈科思电子科技有限公司 | | | | | |
|----------------------------|-------|-------|-------|--|------------|------|-----|------|----------------|
| TOLERANCE UNLESS OTHERWISE | | | | NINGBO MIX ELECTRONIC TECHNOLOGY CO.,LTD | | | | | |
| X. | ±0.25 | X* | ±5° | 单位 | mm | 制图 | 陈冬梅 | 产品名称 | MX142R-5.08 |
| .X | ±0.20 | .X* | ±2° | 角法 | 第一角法 | 设计 | 顾兴伟 | 图号 | |
| .XX | ±0.15 | .XX* | ±1° | 比例 | 1:1 | 审核 | | 产品料号 | MX142R-5.08 |
| .XXX | ±0.02 | .XXX* | ±0.5° | 日期 | 2012.07.10 | 核准 | | 图号 | MX142R-5.08-0A |
| | | | | 版本 | A0 | APPD | | 图号 | |