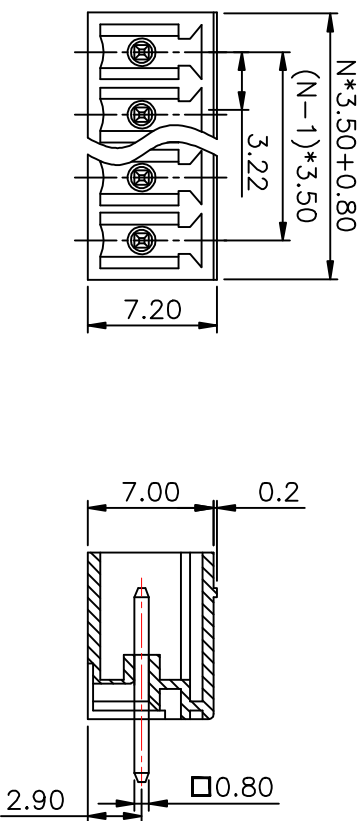


REVISION RECORD			
REV	ECN.	DESCRIPTION	DRFT DATE



- NOTE 1:**  
**UL标准 (UL Standard)**  
 1. 额定电压与电流: 300V/8A  
 Rated voltage/Rated current: 300V/8A  
 2. 功率耐压: AC1600V/Min  
 Withstanding Voltage: AC1600V/Min  
**IEC标准 (IEC Standard)**  
 1. 额定电压与电流: 250V/7A  
 Rated voltage/Rated current: 250V/7A

- NOTE 2:**  
 1. 间距 (Pitch): 3.5mm  
 2. 使用温度范围: -40°C~+105°C  
 Operating temperature: -40°C~+105°C  
 3. 符合RoHS环保要求  
 RoHS Compliance  
 4. 未标注公差表  
 Undimensioned tolerances

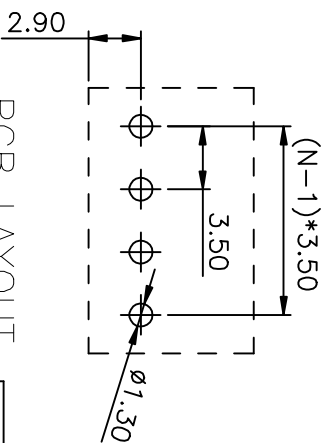
额定公差 (mm)	实际公差 (mm)	公差带
Pitch range in mm	Nominal dimension range in mm	±Tolerance
≤6	10	±0.1/0
6 ~ 10	24	±0.15
≤30	60	±0.2
30 ~ 60	100	±0.25
60 ~ 100	150	±0.3
100 ~ 150	200	±0.4
150 ~ 200	250	±0.5
200 ~ 250	300	±0.6
250 ~ 300	350	±0.7
300 ~ 350	400	±1.0
400 ~ 450	450	±1.0

**订购方式 (HOW TO ORDER)**

MX15EDGVC-3.50-□P-□-□-□□□□

- |              |                     |               |                  |
|--------------|---------------------|---------------|------------------|
| 型号           | 间距                  | 数量            | 客户型号             |
| Series NO.   | Pitch               | Poles         | Customer Request |
| 1. 单间距       | 1. 灰色 (Grey)        | 2. 蓝色 (Blue)  |                  |
| Single Pitch | 3. 黑色 (Black)       | 4. 绿色 (Green) |                  |
| 2. 双间距       | 5. 橙色 (Orange)      | 6. 红色 (Red)   |                  |
| Double Pitch | 7. 黄色 (Yellow)      | 8. 白色 (White) |                  |
|              | 9. 透明 (Transparent) |               |                  |

**PCB LAYOUT**



PART NO.: /		APPD: /		CHKD: /		DRFT: /		THIRD ANGLE PROJECTION	
1 (Contact) 触点		(Copper alloy) 铜合金		(Sn plated) 镀锡		UL94V-0		系列	
2 (Housing) 罩件		PA66		UL94V-0		MX15EDGVC-3.50		页码	
ITEM		NAME OF PART		MATERIAL		NOTES		图号	
1		NAME OF PART		MATERIAL		NOTES		MX15EDGVC350001	
2		NAME OF PART		MATERIAL		NOTES		比例	
1		NAME OF PART		MATERIAL		NOTES		1:1	



**宁波迈科思电子科技有限公司**  
 NINGBO MAX ELECTRONIC TECHNOLOGY CO.,LTD