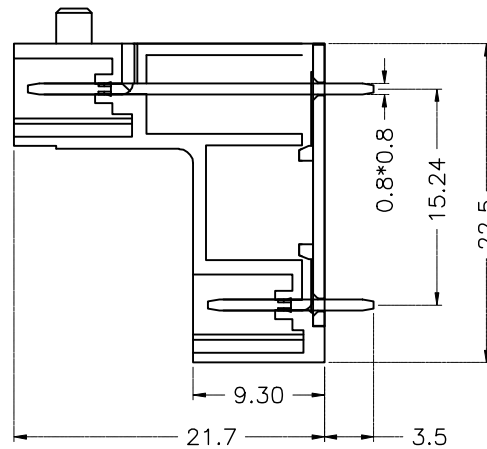
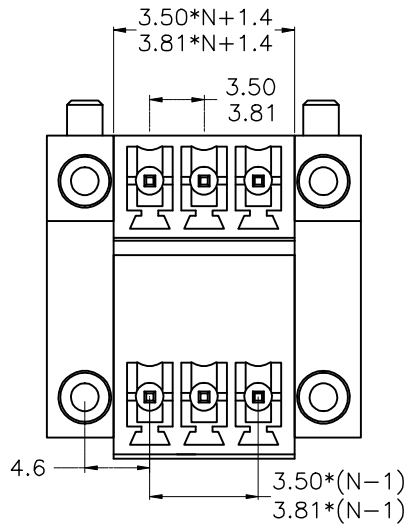


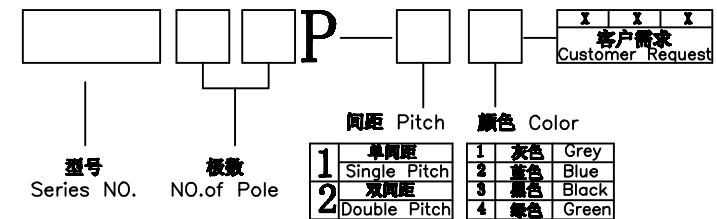
RoHS Compliant Customer Drawing

| REV. | ECN NO. | DESCRIPTION | DATE | DESIGN |
|------|---------|-------------|------|--------|
| | | | | |



- 材质及电镀(Material)**
 焊针(Pin header): 黄铜, 镀锡(Brass, Tin plated)
 塑件(Housing): PA66, UL94V-0
- 电气性能(Electrical)**
 额定电压(Rated Voltage): 300V
 额定电流(Rated Current): 8A
 接触电阻(Contact Resistance): 20mΩ
 绝缘电阻(Insulation Resistance): 5000MΩ/1000V
 耐电压(Withstanding Voltage): AC2000V/1Min
- 机械性能(Mechanical)**
 温度范围(Temperature Range): -40℃~+105℃
 瞬时温度(MAX Soldering): +250℃, 5秒(5 Seconds)

订购方式/HOW TO ORDER



CONTACT WITH US:
 TEL: +86-574-63505128 FAX: +86-574-63532183
 E-Mail: sales@nbmax.com.cn Website: www.nbmax.com.cn

N=No. of contacts

| 公差一览表 TOLERANCE UNLESS OTHERWISE | | | | 宁波迈科思电子科技有限公司 NINGBO MKX ELECTRONIC TECHNOLOGY CO.,LTD | | | | | |
|-------------------------------------|-------|-------|-------|---|------------|---------------|-----|------------------|---------------------|
| X. | ±0.25 | X* | ±5° | 单位 UNITS | mm | 制图 DRAWING | 陈冬梅 | 产品名称 TITLE | MX15EDGVTM-3.5/3.81 |
| .X | ±0.20 | .X* | ±2° | 角法 VIEW | | 设计 DESIGN | 顾兴伟 | 产品料号 PART NO. | MX15EDGVTM-3.5/3.81 |
| .XX | ±0.15 | .XX* | ±1° | 比例 SCALE | 1:1 | 审核 CHECK | | 图号 DRAW NO. | MX15EDGVTM-3.5-0A |
| .XXX | ±0.02 | .XXX* | ±0.5° | 日期 DATE | 2012.07.10 | 版本 VER | A0 | 核准 APPD | |