

RoHS Compliant

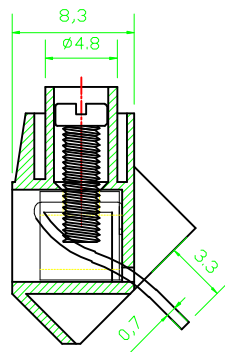
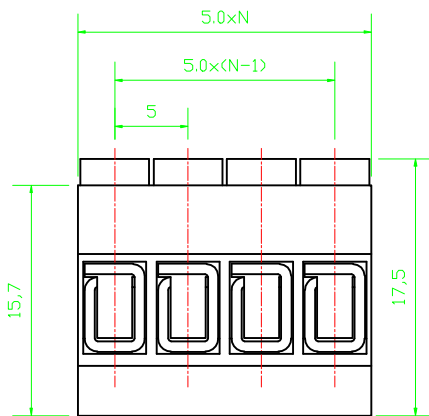
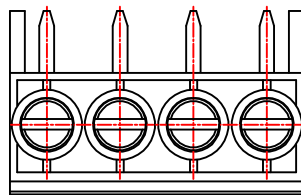
Customer Drawing

REV.	ECN NO.	DESCRIPTION	DATE	DESIGN

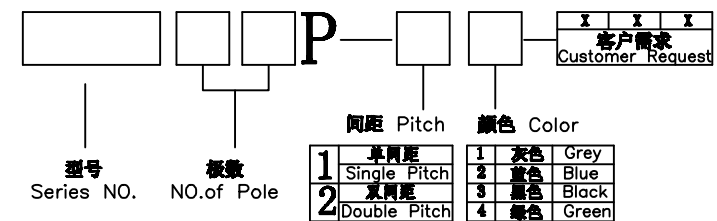
·材质及电镀(Material)  
 螺丝(Screw):M2.5,铜,镀锌(steel, zinc plated)  
 触点(Contact):黄铜,镀锡(Brass, Ni plated)  
 焊针(Pin header):黄铜,镀锡(Brass, Tin plated)  
 塑件(Housing): PA66, UL94V-0

·电气性能(Electrical)  
 额定电压(Rated Voltage): 150V  
 额定电流(Rated Current): 15A  
 接触电阻(Contact Resistance): 20mΩ  
 绝缘电阻(Insulation Resistance): 5000MΩ/1000V  
 耐电压(Withstanding Voltage): AC1500V/1min  
 使用线径(Wire Range): 22-12AWG 2.5mm<sup>2</sup>

·机械性能(Mechanical)  
 温度范围(Temperature Range): -40℃~+105℃  
 瞬时温度(MAX Soldering): +250℃, 5秒(5 Seconds)  
 扭矩(Torque): 0.5Nm(4.5lb.in)  
 剥线长度(Strip length): 5-6mm



订购方式/HOW TO ORDER



CONTACT WITH US:  
 TEL:+86-574-63505128 FAX:+86-574-63532183  
 E-Mail:sales@nbmax.com.cn Website:www.nbmax.com.cn

N=No.of contacts

公差一览表				宁波迈科思电子科技有限公司			
TOLERANCE UNLESS OTHERWISE				NINGBO MIX ELECTRONIC TECHNOLOGY CO.,LTD			
X.	±0.25	X*.	±5°	单位	mm	制图	陈冬梅
.X	±0.20	.X*	±2°	UNITS		DRAWING	
.XX	±0.15	.XX*	±1°	角法	⊕ ⊖	设计	顾兴伟
.XXX	±0.02	.XXX*	±0.5°	比例	1:1	审核	
日期	2012.07.10	版本	A0	核准		APPD	
DATE		VER		SCALE		DRAW NO.	
						MX168-5.0	
						MX168-5.0	
						MX168-5.0-0A	