

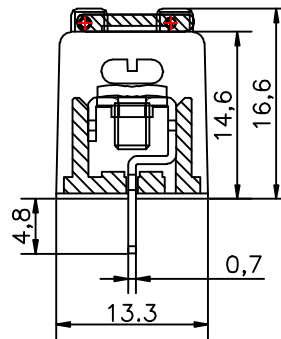
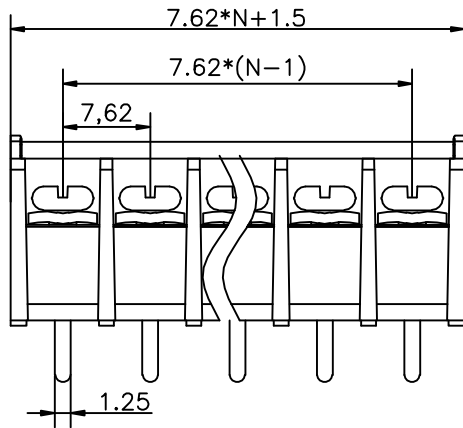
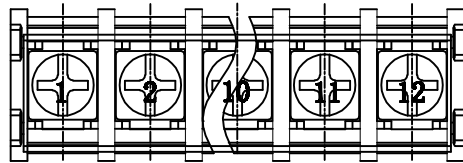
RoHS Compliant Customer Drawing

REV.	ECN NO.	DESCRIPTION	DATE	DESIGN

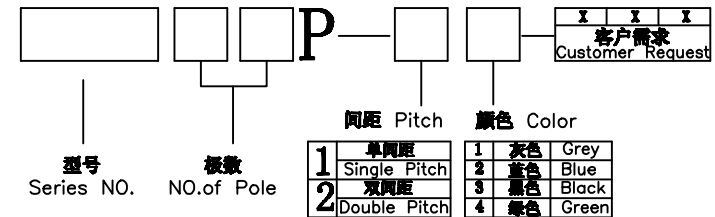
·材质及电镀 (Material)
 塑件 (Housing): PA66, UL94V-0
 端子 (Terminal): 黄铜, 0.7t 镀锡 (Brass, Tin Plated)
 螺丝 (Screw): M3, 铜, 镀镍 (Steel, Ni-Plated)

·电气性能 (Electrical)
 额定电压 (Rated Voltage): 300V
 额定电流 (Rated Current): 20A
 绝缘电阻 (Insulation Resistance): 500MΩ/DC500V
 耐电压 (Withstanding Voltage): AC2000V/Min

·机械性能 (Mechanical)
 温度范围 (Temperature Range): -40℃~ +105℃
 适用线径 (Wire Range): 22-14AWG
 最大扭矩值 (Max. Torque Value): 0.5N.m 4.4Lb.in



订购方式/HOW TO ORDER



CONTACT WITH US:
 TEL: +86-574-63505128 FAX: +86-574-63532183
 E-Mail: sales@nbmax.com.cn Website: www.nbmax.com.cn

N=No. of contacts

公差一览表				宁波迈科思电子科技有限公司 NINGBO MKX ELECTRONIC TECHNOLOGY CO.,LTD			
TOLERANCE UNLESS OTHERWISE				UNIT	SCALE	DESIGN	DATE
X.	±0.25	X°	±5°	mm	1:1	陈冬梅	2012.07.10
.X	±0.20	.X°	±2°	角法	设计	顾兴伟	
.XX	±0.15	.XX°	±1°	VIEW	设计		
.XXX	±0.02	.XXX°	±0.5°	SCALE	审核		
日期	2012.07.10	版本	A0	DATE	APPD		
产品名称		MX25CG-7.62		产品编号		MX25CG-7.62	
PART NO.		MX25CG-7.62		图号		MX25CG-7.62-0A	
DRAW NO.		MX25CG-7.62-0A		DRAW NO.		MX25CG-7.62-0A	