

RoHS Compliant Customer Drawing

REV.	ECN NO.	DESCRIPTION	DATE	DESIGN

**SPECIFICATION**

**MATERIAL**

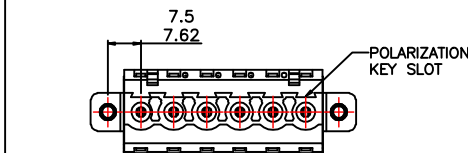
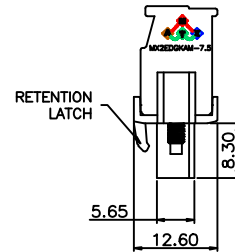
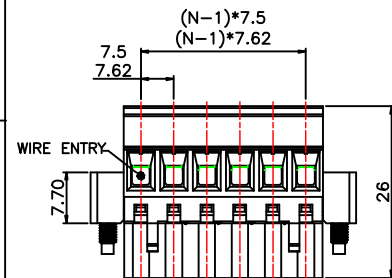
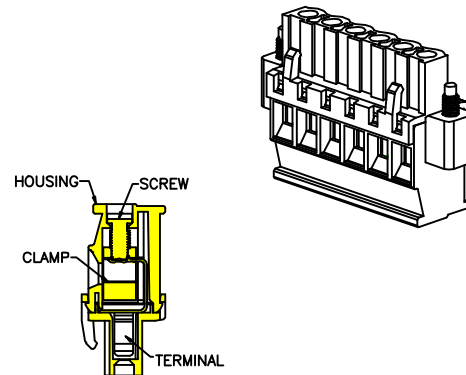
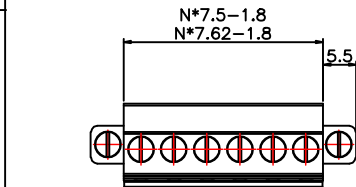
Housing:PA66,UL94V-0  
 Screw:M3 Steel ,Zinc Plated  
 Terminal:Phosphor Bronze,Tin Plated  
 Clamp:Brass,Ni Plated

**ELECTRICAL**

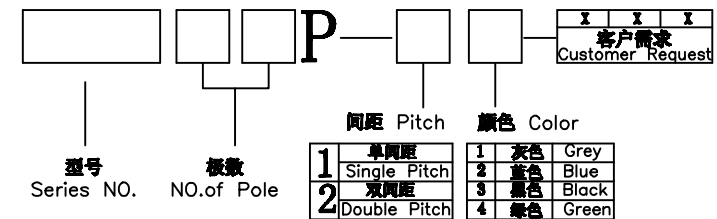
Rated voltage:300V  
 Rated current: 15A  
 Wire Range(AWG/MM<sup>2</sup>):24-12AWG/0.2-2.5MM<sup>2</sup>  
 Withstanding voltage: AC4000V/ 1Min

**MECHANICAL**

Torque:0.4Nm(3.5Lb-in.)  
 Strip Length:7mm  
 Operating Temperature:-40°C~+105°C



**订购方式/HOW TO ORDER**



CONTACT WITH US:

TEL:+86-574-63505128 FAX:+86-574-63532183

E-Mail:sales@nbmax.com.cn Website:www.nbmax.com.cn

N=No. of contacts

公差一览表 TOLERANCE UNLESS OTHERWISE				宁波迈科思电子科技有限公司 NINGBO MKX ELECTRONIC TECHNOLOGY CO.,LTD					
X.	±0.25	X°.	±5°	单位 UNITS	mm	制图 DRAWING	陈冬梅	产品名称 TITLE	MX2EDGKAM-7.5/7.62
.X	±0.20	.X°	±2°	角法 VIEW		设计 DESIGN	顾兴伟	产品序号 PART NO.	
.XX	±0.15	.XX°	±1°	比例 SCALE	1:1	审核 CHKD		图号 DRAW NO.	MX2EDGKAM-7.5/7.62
.XXX	±0.02	.XXX°	±0.5°	日期 DATE	2012.07.10	版本 VER	A0	核准 APPD	MX2EDGKAM-7.5-A0