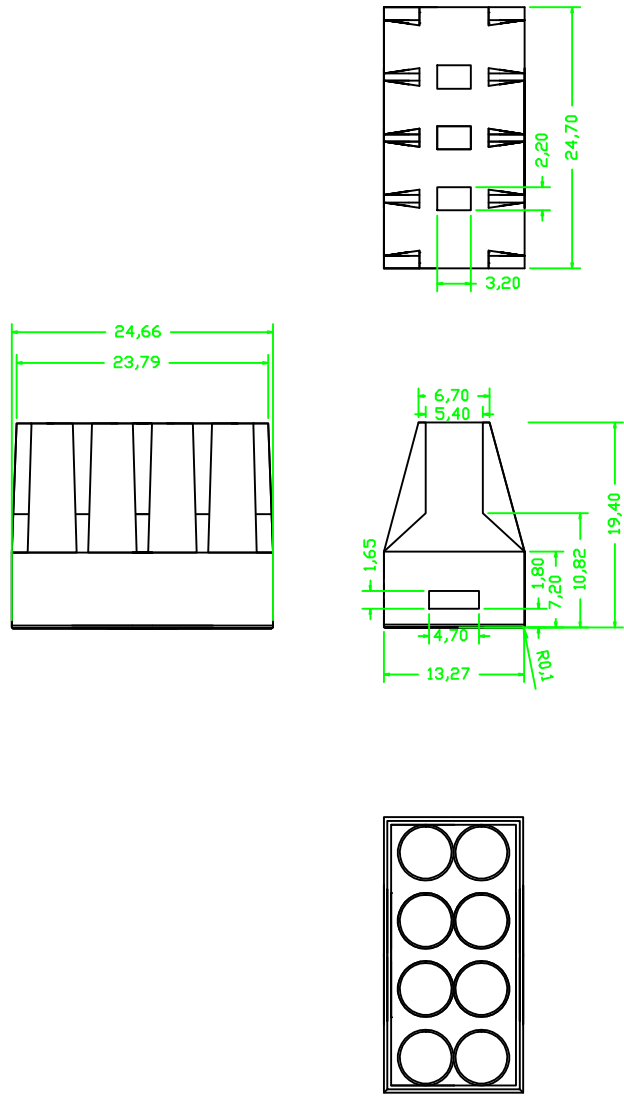


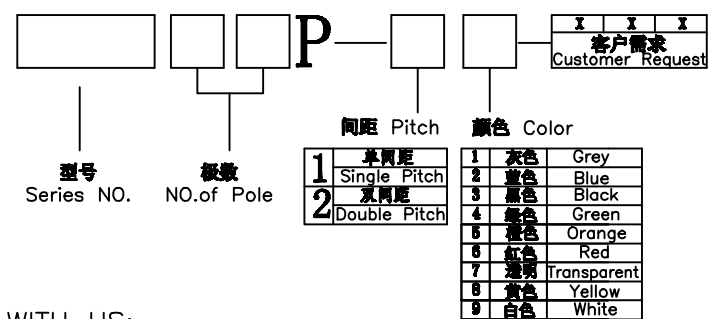
RoHS Compliant Customer Drawing

| REV. | ECN NO. | DESCRIPTION | DATE | DESIGN |
|------|---------|-------------|------|--------|
| | | | | |

SPECIFICATION
MATERIAL
 Housing:PA66,UL94V-0
 Terminal:Copper,Tin Plated
ELECTRICAL
 Standard: UL IEC
 Rated voltage:600V 400V
 Rated current: 20A 24A
 Wire Range(AWG/MM²):16-12AWG/0.75-2.5MM²
 Withstanding voltage: AC2000V/ 1Min
MECHANICAL
 Strip Length:12-13mm
 Operating Temperature:-40°C~+105°C



订购方式/HOW TO ORDER



CONTACT WITH US:
 TEL:+86-574-63505128 FAX:+86-574-63532183
 E-Mail:sales@nbmax.com.cn Website:www.nbmax.com.cn

N=No.of contacts

| 公差一览表 TOLERANCE UNLESS OTHERWISE | | | | 宁波迈科思电子科技有限公司 NINGBO MIX ELECTRONIC TECHNOLOGY CO.,LTD | | | | | |
|-------------------------------------|-------|-------|-------|---|------------|---------------|-----|------------------|--------------|
| X. | ±0.25 | X°. | ±5° | 单位 UNITS | mm | 制图 DRAWING | 陈冬梅 | 产品名称 TITLE | MX3558-8P |
| .X | ±0.20 | .X° | ±2° | 角法 VIEW | ⊕ ⊖ | 设计 DESIGN | 顾兴伟 | 产品料号 PART NO. | MX3558-8P |
| .XX | ±0.15 | .XX° | ±1° | 比例 SCALE | 1:1 | 审核 CHKD | | 图号 DRAW NO. | MX3558-8P-0A |
| .XXX | ±0.02 | .XXX° | ±0.5° | 日期 DATE | 2012.07.10 | 版本 VER | A0 | 核准 APPD | |